

ANT-CQB-AHSM-00-3m

Quad-band GSM/GPRS/EDGE, 0 dBi, omni-directional, magnetic base antenna



- > Small size for compact fit
- > Lightweight for portable deployment
- > Magnetic base mount
- > Detachable design for easy mounting
- > SMA connector (male) supported

Specifications

Antenna Characteristics

Frequency: 850/900/1800/1900 MHz

Antenna Type: Omni-directional

Typical Antenna Gain: 0 dBi

Connector: SMA (male)

Impedance: 50 ohms

Polarization: Linear, vertical

HPBW/horizontal: 360°

V.S.W.R.: <2

Physical Characteristics

Weight: 58 g

Dimensions: Length=85 mm (including base)

Cable Length: 3 m

Cable Type: RG174

Radome Color: Black

Installation: Magnetic mount

Environmental Limits

Operating Temperature: -30 to 75°F (-22 to 167°F)

Storage Temperature: -30 to 75°C (-22 to 167°F)

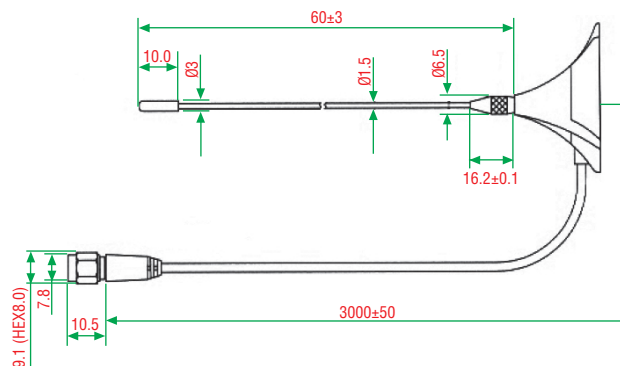
Ambient Relative Humidity: 5 to 95% (30°C, non-condensing)

Warranty

Warranty Period: 1 year

Details: See www.moxa.com/warranty

Dimensions



Unit: mm (inch)

Ordering Information

Available Models

ANT-CQB-AHSM-00-3m: Quad-band GSM/GPRS/EDGE, omni-directional, 0 dBi, magnetic SMA (male), 3 m

Can be used with the following products

OnCell G2111/G2151, OnCell G3111/G3151, OnCell G3211/G3251, OnCell G3100 Series, OnCell 5000 Series